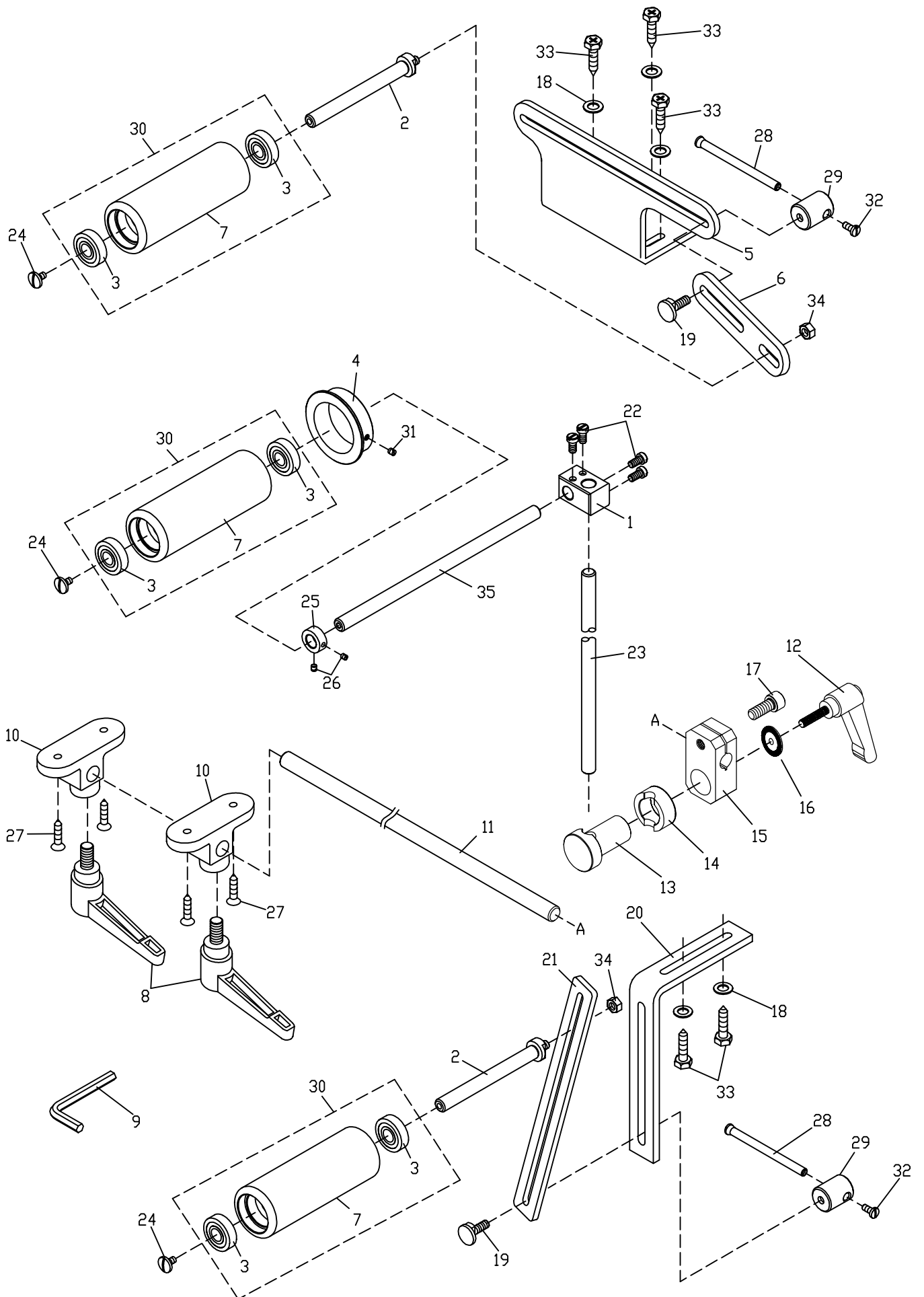


1. TR05A 擴張滾輪組零件列表 Parts List For TR05A Roller Set



1. TR05A 擴張滾輪組零件列表 Part List For TR05A Roller Set

序號 Ref.No	物料編號 Parts No.	名稱 Description	單位用量 A mt.Req.
1	2200850421	連接塊 Connecting Block -----	1
2	4TR00201021	軸 Shaft -----	2
3	90BB1026082	滾珠軸承 Ball Bearing -----	6
4	2270850418	鬆緊帶導模 Elastic Tape Guide -----	1
5	4TR0020105	滾輪座 Roller Seat -----	1
6	4TR0020106	滾輪臂 Roller Holder Arm -----	1
7	4TR00201071	滾輪 Roller -----	3
8	4TR0020108	固定鉸手 Lock Lever -----	2
9	66641	六角扳手 Spanner 6MM -----	1
10	4TR0020110	支架座 Holder Bracket Seat -----	2
11	4TR03A0111	支架 Holder Bracket -----	1
12	4TR03A0112	固定板手 Lock Lever -----	1
13	4TR03A0113	連接塊 Connecting Block -----	1
14	4TR03A0114	連接塊 Connecting Block -----	1
15	4TR03A0115	連接塊 Connecting Block -----	1
16	4TR03A0116	墊圈 Washing -----	1
17	8MM08502013A	螺絲 Screw (CT0106 M8-1.25*20) -----	1
18	2200000910	墊圈 Washing -----	5
19	4TR0020119	螺樁 Stud -----	2
20	4TR0020120	滾輪臂 Roller Holder Arm -----	1
21	4TR0020121	滾輪臂 Roller Holder Arm -----	1
22	8MB05321008K	螺絲 Screw (CT0233 M5-0.8*10) -----	4
23	4TR03A0105	支架 Holder Bracker -----	1
24	8SC44400812A	螺絲 Screw (CL450424 11/64"-40*8) -----	3
25	4TR0020125	定位環 Collar -----	1
26	8MH85240500A	螺絲 Screw (CT0923 M3.5-0.6*5) -----	2
27	8WE37002400A	木螺絲 Wood Screw (CL450427) -----	4
28	4TR0020128	柄 Handle -----	2
29	4TR0020129	止動塊 Tension Roller Slider Stop -----	2
30	4TR002A0130	滾輪組 Roller Asm.-----	3
31	8MH04280400A	螺絲 Screw (CT1134 M4-0.7*4) -----	1
32	8SC44401008A	螺絲 Screw (SH1225 11/64"-40*10) -----	2
33	8WK45002900C	木螺絲 Wood Screw (CL450408) -----	5
34	8MA06400510A	螺帽 Nut (CT0533) -----	2
35	2270850423	支架 Holder Bracket -----	1